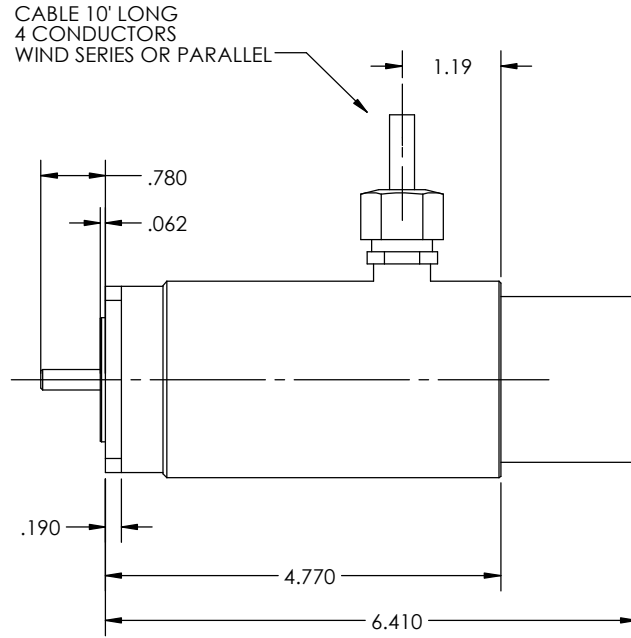
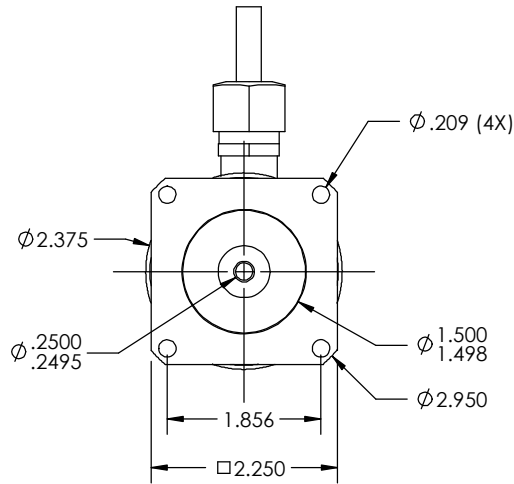
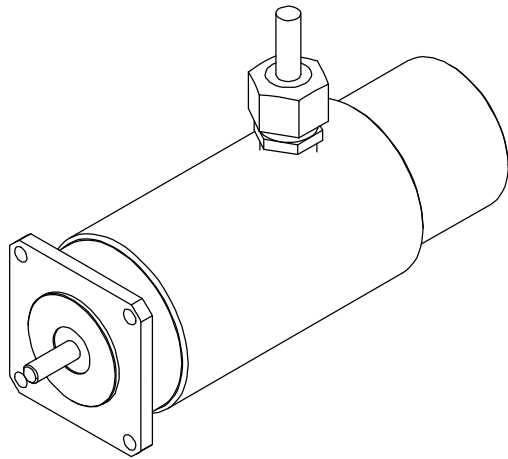


8 7 6 5 4 3 2 1

REVISIONS		DATE	APPROVED
ZONE	REV.	DESCRIPTION	

NOTES:

1. WATER-PROOF WP-U21-OFF-CBL10 STEP MOTOR.
2. HOUSING MAT'L: 300 SERIES STAINLESS STEEL.
3. OIL FILLED UNIT WITH OFF (PISTON) PRESSURE COMPENSATOR.
4. WATER-PROOF RATING IS SUBMERSIBLE.
5. OUTPUT SHAFT IS DOUBLE SHAFT SEALS.
6. USE SERIES HOOK-UP FOR SPEEDS 5 RPS AND SLOWER.
7. USE PARALLEL HOOK-UP FOR SPEEDS 5 RPS AND FASTER.



CABLE 10' LONG
4 CONDUCTORS
WIND SERIES OR PARALLEL

PROPRIETARY AND CONFIDENTIAL
THE INFORMATION CONTAINED IN THIS DRAWING IS THE SOLE PROPERTY OF EMPIRE MAGNETICS, INC. ANY REPRODUCTION IN PART OR AS A WHOLE WITHOUT THE WRITTEN PERMISSION OF EMPIRE MAGNETICS, INC. IS PROHIBITED.

UNLESS OTHERWISE SPECIFIED:		NAME	DATE	EMPIRE MAGNETICS, INC. ROHNERT PARK, CA 94928
DIMENSIONS ARE IN INCHES		DRAWN	DTI	
TOLERANCES:		CHECKED		TITLE: WP U21 OFF CBL10 OUTLINE
FRACTIONAL ±		ENG APPR.		
ANGULAR: ±0.5		MFG APPR.		
TWO PLACE DECIMAL ±.010		Q.A.		SIZE DWG. NO. REV B WP U21 OFF CBL10 OUTLINE
THREE PLACE DECIMAL ±.005		COMMENTS:		
INTERPRET GEOMETRIC TOLERANCING PER:				SCALE: 1:1.5
MATERIAL				SHEET 1 OF 1
FINISH				
NEXT ASSY	USED ON			
APPLICATION		DO NOT SCALE DRAWING		

8 7 6 5 4 3 2 1